

# 14 - Dimensions, designs, mounting positions of bevel helical gearmotors

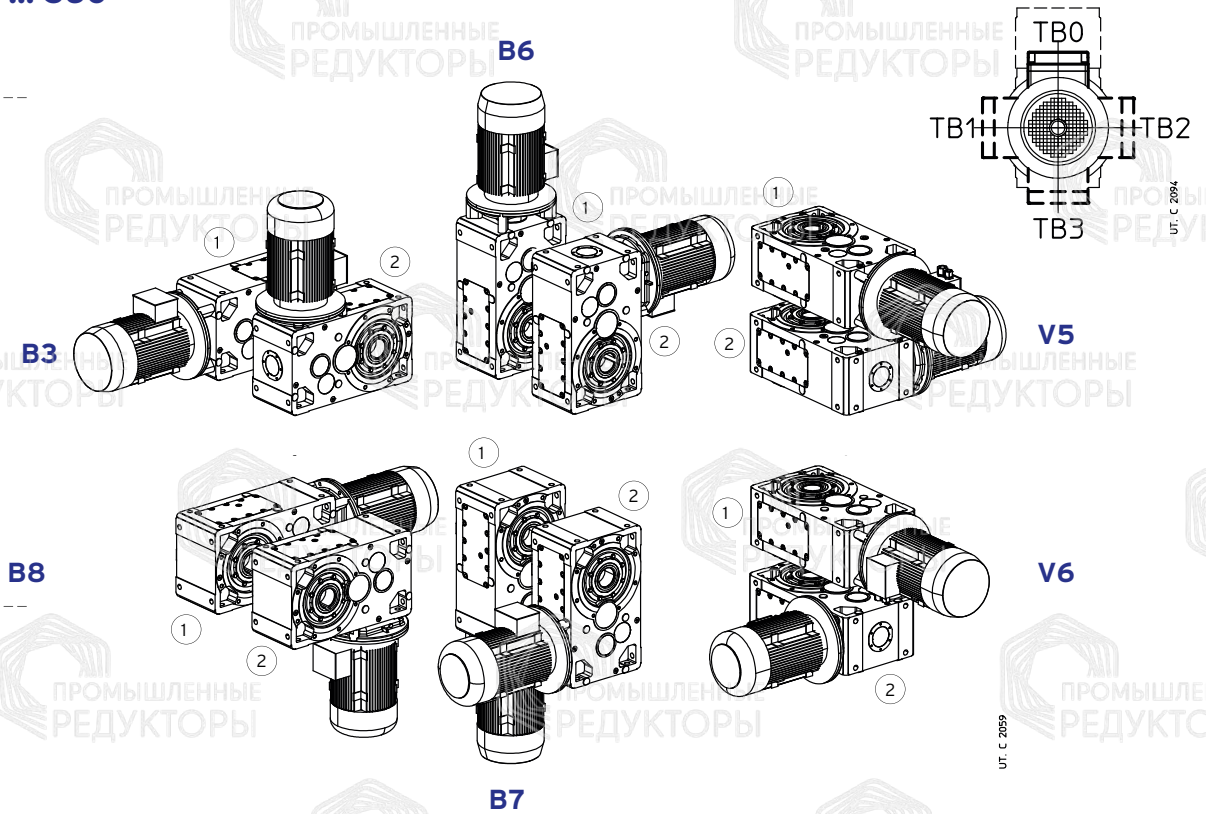
## Mounting positions

Unless otherwise stated, gear reducers are supplied in mounting position **B3** (see ch. 2).

### MR C2I 140 ... 360

Designs:

- ① U02A  
U02H  
U02Hsin
- ② U02V  
U02Vsin  
U02R  
U02Rsin



## Oil quantity MR C2I 140 ... 360

Lubricant quantities [l] stated are approximate for provisioning. The exact oil quantity the gear reducer is to be filled with is defined by the level plug.

Mounting position	140	160	180	200	225	250	280	320, 321	360
<b>B3</b>	6,6	12	13	25	26	47	51	97	100
<b>B8</b>	6,6	12	13	25	26	47	51	97	100
<b>B7</b>	9,7	18	19	35	37	67	72	137	140
<b>B6</b>	10,8	20	21	39	41	75	80	152	156
<b>V5</b>	9,7	18	19	35	37	67	72	137	140
<b>V6</b>	9,7	18	19	35	37	67	72	137	140

# 14 - Dimensions, designs, mounting positions of bevel helical gearmotors

## Lubrication details

### MR C2I 140 ... 360

ПРОМЫШЛЕННЫЕ РЕДУКТОРЫ

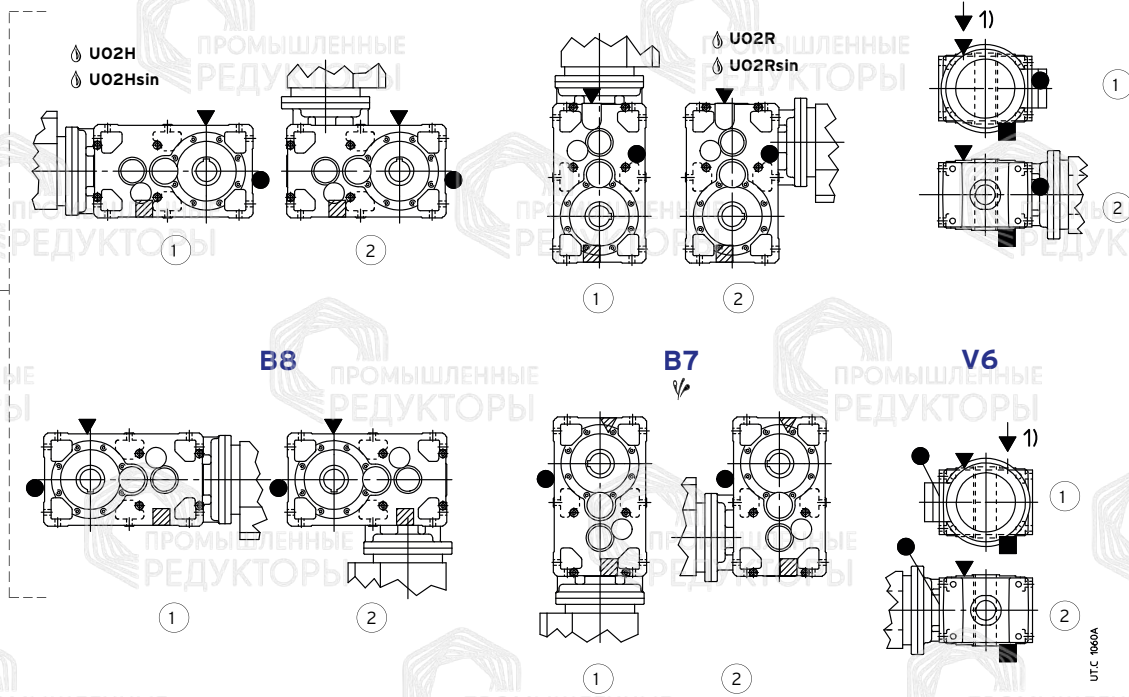
B3

B6

V5

Designs:

- ① U02A  
U02H  
U02Hsin
- ② U02V  
U02Vsin  
U02R  
U02Rsin



▽ Possible high oil splash: for the corrective factor  $ft_3$  of nominal thermal power  $P_{tN}$  see ch. 4.

☼ Possible bearing lubrication pump (see ch 17 (19)).

1) Position of intermediate hole for mounting position identification.

▽ oil filler plug

● oil level plug

■ oil drain plug

▽ oil drain plug on opposite side (not in view)

● oil level plug on opposite side (not in view)

■ oil drain plug on opposite side (not in view)